

Stock Code: **72006LEDD-BRZ**

Collection: TaskWerx

PRODUCT INFORMATION

Base: 72006 Parent: 72006LEDD
Mounting Type: Portable UPC: 641594207415
Finish: Bronze
Diffuser: N/A

PRODUCT MEASUREMENTS

FIXTURE**	BACKPLATE / CANOPY**
Length: 26"	Length 7"
Width: 7"	Width: 7"
Diameter	Diameter:
Height: 14"	Height: 1.5"
Extension:	
Overall Height:	

TECHNICAL SPECIFICATIONS

SPECIFICATIONS

Frame Material: Aluminum
Diffuser Material: Acrylic
Lamping Type: SSL (Dedicated LED) Jbox: N/A
Lamping Base: SSL Lamp Wattage: 6.3 W
Lamp Quantity: 1 Total Wattage: 6.3 W
Voltage: 100-240v Lamps Included: Yes

QUALIFICATIONS

Location Rating Dry
Certification: UL (US/Canada) Listed
ADA Compliant: No Energy Star: No
JA8 Compliant: No Emergency Lighting: No
Marine Grade Finish: No
Warranty**: 5 Year

PHOTOMETRICS

Dimmable: Yes Nominal Lumens: 600 Lm
CRI: 83 Delivered Lumens: 440 Lm
CCT: 3000K
Recommended Dimmers:

ADDITIONAL NOTES

Project Name: _____

Location: _____

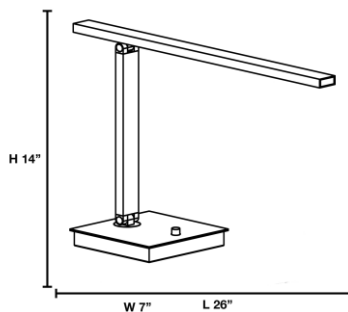
Type: _____

Quantity: _____

Notes: _____



LINE DRAWING



IES FILE

In addition to Access Lighting's purchase and warranty terms and conditions, by signing below or placing an order, you agree that you are authorized to bind the entity placing any order and acknowledge the following: All of sizes and measurements are approximate and all images are for illustrative purposes only. In the event of an inconsistency, the "Product Measurements" section controls. There also may be slight differences in the colors and designs compared to the displayed and printed images.

Signature: _____

Print Name _____ Date: _____

Toll Free 800-828-5483 www.AccessLighting.com

301 Piedmont Grove Park, Suite A, Greenville, SC 29611

** NOTE: All measurements are rounded up to the 1/4 inch. There is no warranty on any replaceable bulbs, even if included with the fixture.
Copyright Access Lighting Corp. All information is subject to change without notice.

2/18/2024

72006LEDD-BRZ.pdf

