

Stock Code: **64066LEDDL-ABB/WH**

Collection: Mid Town

**PRODUCT INFORMATION**

Base: 64066 Parent: 64066LEDDL  
Mounting Type: Ceiling UPC: 641594240740  
Finish: Antique Brushed Brass  
Diffuser: N/A

**PRODUCT MEASUREMENTS**

<b>FIXTURE**</b>	<b>BACKPLATE / CANOPY**</b>
Length:	Length
Width:	Width:
Diameter 24"	Diameter:
Height: 5.5"	Height:
Extension:	
Overall Height: 12.50-50"	

**TECHNICAL SPECIFICATIONS**

**SPECIFICATIONS**

Frame Material: Steel  
Diffuser Material: Fabric  
Lamping Type: E-26 (Replaceable LED Jbox: Standard  
Lamping Base: E-26 Lamp Wattage: 8.5 W  
Lamp Quantity: 4 Total Wattage: 34 W  
Voltage: 120v Lamps Included: Yes

**QUALIFICATIONS**

Location Rating Dry  
Certification: UL (US/Canada) Listed  
ADA Compliant: No Energy Star: No  
JA8 Compliant: Yes Emergency Lighting: No  
Marine Grade Finish: No  
Warranty\*\*: 1 Year

**PHOTOMETRICS**

Dimmable: Yes Nominal Lumens: N/A  
CRI: 90 Delivered Lumens: 3548 Lm  
CCT: 3000K  
Recommended Dimmers:  
(TRIAC)LUTRON Diva DVCL-153P; (TRIAC)LUTRON  
Ariadni/Toggler TGCL-153P; (TRIAC)LUTRON Skylark CL SCL-  
153 or SCL-153P; (TRIAC)LEVITON Decora Sureslide 6672;  
(TRIAC)LEVITON Decora Sureslide 6674

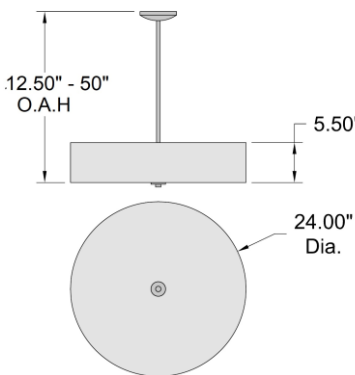
**ADDITIONAL NOTES**

6, 16, and 22-inch down rods included; Optional 6, 16, and 22-  
inch down rods available (max 10 feet); 10 feet of cord included;  
Sloped ceiling adapter included; Custom Finish 5 Piece Minimum  
Order Quantity

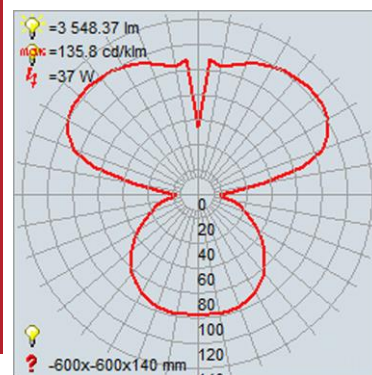
Project Name: \_\_\_\_\_  
Location: \_\_\_\_\_  
Type: \_\_\_\_\_  
Quantity: \_\_\_\_\_  
Notes: \_\_\_\_\_



**LINE DRAWING**



**IES FILE**



In addition to Access Lighting's purchase and warranty terms and conditions, by signing below or placing an order, you agree that you are authorized to bind the entity placing any order and acknowledge the following: All of sizes and measurements are approximate and all images are for illustrative purposes only. In the event of an inconsistency, the "Product Measurements" section controls. There also may be slight differences in the colors and designs compared to the displayed and printed images.

Signature: \_\_\_\_\_

Print Name \_\_\_\_\_ Date: \_\_\_\_\_

**Toll Free 800-828-5483 www.AccessLighting.com**

301 Piedmont Grove Park, Suite A, Greenville, SC 29611



\*\* NOTE: All measurements are rounded up to the 1/4 inch. There is no warranty on any replaceable bulbs, even if included with the fixture.  
Copyright Access Lighting Corp. All information is subject to change without notice. 2/18/2024 64066LEDDL-ABB\_WH.pdf