

Stock Code: **64065LEDDL-BS/WH**

Collection: Mid Town

PRODUCT INFORMATION

Base: 64065 Parent: 64065LEDDL
Mounting Type: Ceiling UPC: 641594240467
Finish: Brushed Steel
Diffuser: N/A

PRODUCT MEASUREMENTS

FIXTURE**	BACKPLATE / CANOPY**
Length:	Length
Width:	Width:
Diameter 18"	Diameter:
Height: 5.5"	Height:
Extension:	
Overall Height: 12.50-50"	

TECHNICAL SPECIFICATIONS

SPECIFICATIONS

Frame Material: Steel
Diffuser Material: Fabric
Lamping Type: E-26 (Replaceable LED Jbox: Standard
Lamping Base: E-26 Lamp Wattage: 8.5 W
Lamp Quantity: 3 Total Wattage: 25.5 W
Voltage: 120v Lamps Included: Yes

QUALIFICATIONS

Location Rating Dry
Certification: UL (US/Canada) Listed
ADA Compliant: No Energy Star: No
JA8 Compliant: Yes Emergency Lighting: No
Marine Grade Finish: No
Warranty**: 1 Year

PHOTOMETRICS

Dimmable: Yes Nominal Lumens: N/A
CRI: 90 Delivered Lumens: 2573 Lm
CCT: 3000K
Recommended Dimmers:
(TRIAC)LUTRON Skylark CL SCL-153 or SCL-153P;
(TRIAC)LUTRON Diva DVCL-153P; (TRIAC)LEVITON Decora
Sureslide 6674; (TRIAC)LEVITON Decora Sureslide 6672;
(TRIAC)LUTRON Ariadni/Toggler TGCL-153P

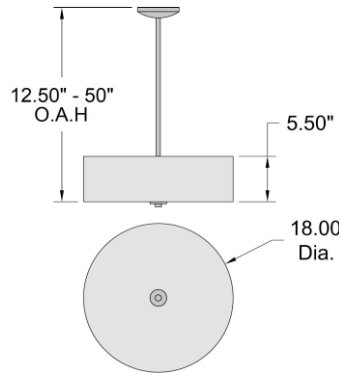
ADDITIONAL NOTES

6, 16, and 22-inch down rods included; Optional 6, 16, and 22-
inch down rods available (max 10 feet); 10 feet of cord included;
Sloped ceiling adapter included; Custom Finish 5 Piece Minimum
Order Quantity

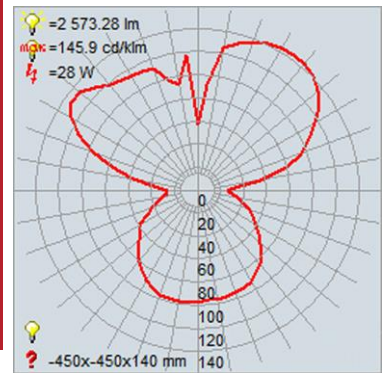
Project Name: _____
Location: _____
Type: _____
Quantity: _____
Notes: _____



LINE DRAWING



IES FILE



In addition to Access Lighting's purchase and warranty terms and conditions, by signing below or placing an order, you agree that you are authorized to bind the entity placing any order and acknowledge the following: All of sizes and measurements are approximate and all images are for illustrative purposes only. In the event of an inconsistency, the "Product Measurements" section controls. There also may be slight differences in the colors and designs compared to the displayed and printed images.

Signature: _____

Print Name _____ Date: _____

Toll Free 800-828-5483 www.AccessLighting.com

301 Piedmont Grove Park, Suite A, Greenville, SC 29611



** NOTE: All measurements are rounded up to the 1/4 inch. There is no warranty on any replaceable bulbs, even if included with the fixture.
Copyright Access Lighting Corp. All information is subject to change without notice. 2/18/2024 64065LEDDL-BS_WH.pdf