

Stock Code: **61091LEDDCS-BS/OPL**

Collection: Eliza

### PRODUCT INFORMATION

Base: 61091 Parent: 61091LEDDCS  
Mounting Type: Wall UPC: 641594258196  
Finish: Brushed Steel  
Diffuser: Opal

### PRODUCT MEASUREMENTS

FIXTURE**	BACKPLATE / CANOPY**
Length:	Length
Width: 4.5"	Width: 4.5"
Diameter	Diameter: 1.5"
Height: 23.75"	Height: 23.75"
Extension: 4.25"	
Overall Height:	

### TECHNICAL SPECIFICATIONS

#### SPECIFICATIONS

Frame Material: Steel  
Diffuser Material: Glass  
Lamping Type: SSL (Dedicated LED) Jbox: Standard  
Lamping Base: SSL Lamp Wattage: 18 W  
Lamp Quantity: 1 Total Wattage: 18 W  
Voltage: 120v Lamps Included: Yes

#### QUALIFICATIONS

Location Rating Damp  
Certification: ETL (US/Canada) Listed  
ADA Compliant: No Energy Star: No  
JA8 Compliant: No Emergency Lighting: No  
Marine Grade Finish: No  
Warranty\*\*: 5 Year

#### PHOTOMETRICS

Dimmable: Yes Nominal Lumens: 1700 Lm  
CRI: 90 Delivered Lumens: 695 Lm  
CCT: Multi CCTK  
Recommended Dimmers:

#### ADDITIONAL NOTES

Horizontal or Vertical Mounting; 5 CCT Selectable Switch 2700K, 3000K, 3500K, 4000K, 5000K

Project Name: \_\_\_\_\_

Location: \_\_\_\_\_

Type: \_\_\_\_\_

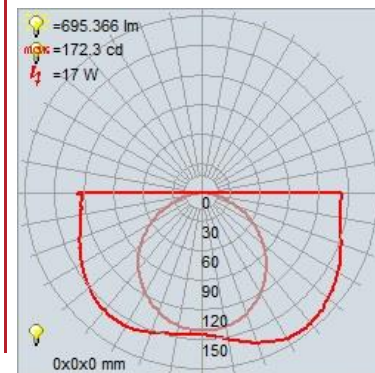
Quantity: \_\_\_\_\_

Notes: \_\_\_\_\_



LINE DRAWING

IES FILE



In addition to Access Lighting's purchase and warranty terms and conditions, by signing below or placing an order, you agree that you are authorized to bind the entity placing any order and acknowledge the following: All of sizes and measurements are approximate and all images are for illustrative purposes only. In the event of an inconsistency, the "Product Measurements" section controls. There also may be slight differences in the colors and designs compared to the displayed and printed images.

Signature: \_\_\_\_\_

Print Name \_\_\_\_\_ Date: \_\_\_\_\_

Toll Free 800-828-5483 [www.AccessLighting.com](http://www.AccessLighting.com)

301 Piedmont Grove Park, Suite A, Greenville, SC 29611

\*\* NOTE: All measurements are rounded up to the 1/4 inch. There is no warranty on any replaceable bulbs, even if included with the fixture.

Copyright Access Lighting Corp. All information is subject to change without notice.

4/22/2026

61091LEDDCS-BS\_OPL.pdf

