

Stock Code: **52206LEDDL-BS**

Collection: Cobra

**PRODUCT INFORMATION**

Base: 52206 Parent: 52206LEDDL  
Mounting Type: Ceiling UPC: 641594211276  
Finish: Brushed Steel  
Diffuser: N/A

**PRODUCT MEASUREMENTS**

<b>FIXTURE**</b>	<b>BACKPLATE / CANOPY**</b>
Length: 33"	Length
Width: 7.5"	Width:
Diameter	Diameter: 7.5"
Height: 3.75"	Height: 1"
Extension:	
Overall Height: 6-50"	

**TECHNICAL SPECIFICATIONS**

**SPECIFICATIONS**

Frame Material: Metal	
Diffuser Material: N/A	
Lamping Type: GU-10 (Replaceable LE Jbox: Standard	
Lamping Base: GU-10	Lamp Wattage: 5.3 W
Lamp Quantity: 4	Total Wattage: 21.2 W
Voltage: 120v	Lamps Included: Yes

**QUALIFICATIONS**

Location Rating Dry	
Certification: ETL (US/Canada) Listed	
ADA Compliant: No	Energy Star: No
JA8 Compliant: No	Emergency Lighting: No
Marine Grade Finish: No	
Warranty**: 1 Year	

**PHOTOMETRICS**

Dimmable: Yes	Nominal Lumens: 1520 Lm
CRI: 83	Delivered Lumens: N/A
CCT: 3000K	
Recommended Dimmers:	
(MLV)COOPER Aspire 9530SW; (TRIAC)LEGRAND Titan CD703-PW; (ELV)LUTRON Skylark SELV-300P	

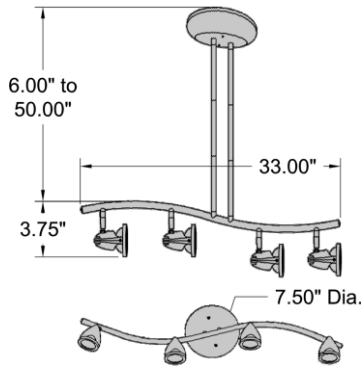
**ADDITIONAL NOTES**

6, 16, and 22-inch down rods included; Optional 6, 16, and 22-inch down rods available (max 10 feet); 10 feet of cord included; Sloped ceiling adapter included; Custom Finish 100 Piece Minimum Order Quantity

Project Name: \_\_\_\_\_  
 Location: \_\_\_\_\_  
 Type: \_\_\_\_\_  
 Quantity: \_\_\_\_\_  
 Notes: \_\_\_\_\_



**LINE DRAWING**



**IES FILE**

In addition to Access Lighting's purchase and warranty terms and conditions, by signing below or placing an order, you agree that you are authorized to bind the entity placing any order and acknowledge the following: All of sizes and measurements are approximate and all images are for illustrative purposes only. In the event of an inconsistency, the "Product Measurements" section controls. There also may be slight differences in the colors and designs compared to the displayed and printed images.

Signature: \_\_\_\_\_

Print Name \_\_\_\_\_ Date: \_\_\_\_\_

**Toll Free 800-828-5483 www.AccessLighting.com**

301 Piedmont Grove Park, Suite A, Greenville, SC 29611



\*\* NOTE: All measurements are rounded up to the 1/4 inch. There is no warranty on any replaceable bulbs, even if included with the fixture. Copyright Access Lighting Corp. All information is subject to change without notice. 2/18/2024 52206LEDDL-BS.pdf