

Stock Code: **28109-BS/CLOP**

Collection: **Seville**

**PRODUCT INFORMATION**

Base: 28109 Parent: 28109  
Mounting Type: Ceiling UPC: 641594245288  
Finish: Brushed Steel  
Diffuser: Clear Opal

**PRODUCT MEASUREMENTS**

<b>FIXTURE**</b>	<b>BACKPLATE / CANOPY**</b>
Length:	Length
Width:	Width:
Diameter 7"	Diameter: 5"
Height: 9.5"	Height: 1.25"
Extension:	
Overall Height: 15-53"	

**TECHNICAL SPECIFICATIONS**

**SPECIFICATIONS**

Frame Material: Glass  
Diffuser Material: Glass  
Lamping Type: E-26 (Incandescent) Jbox: Standard  
Lamping Base: E-26 Lamp Wattage: 60 W  
Lamp Quantity: 1 Total Wattage: 60 W  
Voltage: 120v Lamps Included: No

**QUALIFICATIONS**

Location Rating Damp  
Certification: UL (US/Canada) Listed  
ADA Compliant: No Energy Star: No  
JA8 Compliant: No Emergency Lighting: No  
Marine Grade Finish: No  
Warranty\*\*: 1 Year

**PHOTOMETRICS**

Dimmable: Yes Nominal Lumens: N/A  
CRI: N/A Delivered Lumens: N/A  
CCT: N/A  
Recommended Dimmers:

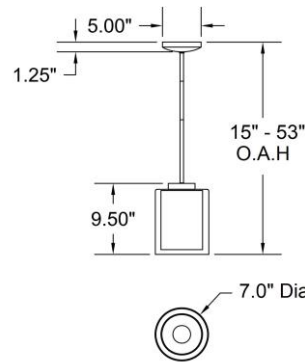
**ADDITIONAL NOTES**

Optional 6, 16, and 22-inch down rods available (max 10 feet);  
10 feet of cord included; Sloped ceiling adapter included;  
Custom Finish 5 Piece Minimum Order Quantity

Project Name: \_\_\_\_\_  
Location: \_\_\_\_\_  
Type: \_\_\_\_\_  
Quantity: \_\_\_\_\_  
Notes:



**LINE DRAWING**



**IES FILE**

In addition to Access Lighting's purchase and warranty terms and conditions, by signing below or placing an order, you agree that you are authorized to bind the entity placing any order and acknowledge the following: All of sizes and measurements are approximate and all images are for illustrative purposes only. In the event of an inconsistency, the "Product Measurements" section controls. There also may be slight differences in the colors and designs compared to the displayed and printed images.

Signature: \_\_\_\_\_

Print Name \_\_\_\_\_ Date: \_\_\_\_\_

**Toll Free 800-828-5483 www.AccessLighting.com**

301 Piedmont Grove Park, Suite A, Greenville, SC 29611



\*\* NOTE: All measurements are rounded up to the 1/4 inch. There is no warranty on any replaceable bulbs, even if included with the fixture.  
Copyright Access Lighting Corp. All information is subject to change without notice. 2/18/2024 28109-BS\_CLOP.pdf