

Stock Code: **23026LEDMGLP-BRZ/CLR**

Collection: Myra Dual

PRODUCT INFORMATION

Base: 23026 Parent: 23026LEDMGLP
Mounting Type: Wall UPC: 641594210439
Finish: Bronze
Diffuser: Clear

PRODUCT MEASUREMENTS

FIXTURE**	BACKPLATE / CANOPY**
Length:	Length
Width: 4.5"	Width:
Diameter	Diameter: 4.5"
Height: 6.5"	Height: 0.75"
Extension: 5"	
Overall Height:	

TECHNICAL SPECIFICATIONS

SPECIFICATIONS

Frame Material: Steel
Diffuser Material: Glass
Lamping Type: GU-10 (Replaceable LE Jbox: Pancake
Lamping Base: GU-10 Lamp Wattage: 5.3 W
Lamp Quantity: 2 Total Wattage: 10.6 W
Voltage: 120v Lamps Included: Yes

QUALIFICATIONS

Location Rating Wet
Certification: UL (US/Canada) Listed
ADA Compliant: No Energy Star: No
JA8 Compliant: No Emergency Lighting: No
Marine Grade Finish: Yes
Warranty**: 5 Year

PHOTOMETRICS

Dimmable: No Nominal Lumens: 500 Lm
CRI: 80 Delivered Lumens: N/A
CCT: 3000K
Recommended Dimmers:

ADDITIONAL NOTES

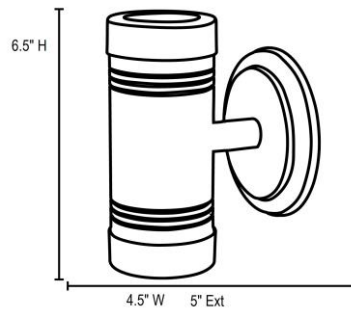
Custom Finish 100 Piece Minimum Order Quantity

Project Name: _____
Location: _____
Type: _____
Quantity: _____
Notes: _____



LINE DRAWING

IES FILE



In addition to Access Lighting's purchase and warranty terms and conditions, by signing below or placing an order, you agree that you are authorized to bind the entity placing any order and acknowledge the following: All of sizes and measurements are approximate and all images are for illustrative purposes only. In the event of an inconsistency, the "Product Measurements" section controls. There also may be slight differences in the colors and designs compared to the displayed and printed images.

Signature: _____

Print Name _____ Date: _____

Toll Free 800-828-5483 www.AccessLighting.com

301 Piedmont Grove Park, Suite A, Greenville, SC 29611



** NOTE: All measurements are rounded up to the 1/4 inch. There is no warranty on any replaceable bulbs, even if included with the fixture.
Copyright Access Lighting Corp. All information is subject to change without notice. 2/18/2024 23026LEDMGLP-BRZ_CLR.pdf