

Stock Code: **20849LEDD-WH/ACR**

Collection: ModPLUS

PRODUCT INFORMATION

Base: 20849 Parent: 20849LEDD
Mounting Type: Ceiling UPC: 641594232028
Finish: White
Diffuser: Acrylic Lens

PRODUCT MEASUREMENTS

FIXTURE**	BACKPLATE / CANOPY**
Length:	Length
Width:	Width:
Diameter 9"	Diameter:
Height: 1.75"	Height:
Extension:	
Overall Height:	

TECHNICAL SPECIFICATIONS

SPECIFICATIONS

Frame Material: Acrylic
Diffuser Material: Acrylic
Lamping Type: SSL (Dedicated LED) Jbox: Pancake
Lamping Base: SSL Lamp Wattage: 18 W
Lamp Quantity: 1 Total Wattage: 18 W
Voltage: 120v Lamps Included: Yes

QUALIFICATIONS

Location Rating Damp
Certification: ETL (US/Canada) Listed
ADA Compliant: No Energy Star: No
JA8 Compliant: Yes Emergency Lighting: No
Marine Grade Finish: No
Warranty**: 5 Year

PHOTOMETRICS

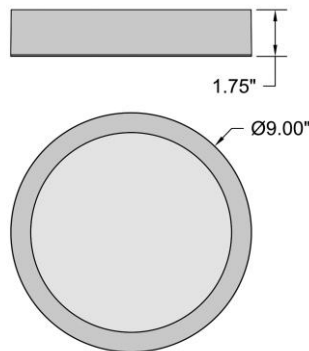
Dimmable: Yes Nominal Lumens: 1440 Lm
CRI: 90 Delivered Lumens: 1073 Lm
CCT: 3000K
Recommended Dimmers:
(ELV)LEVITON Illumatech IPE04; (ELV)LUTRON Skylark
Contour CTCL-153P; (ELV)LUTRON Skylark SELV-300P;
(ELV)LUTRON Diva DVELV-300P

ADDITIONAL NOTES

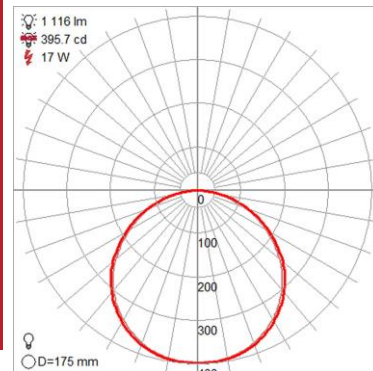
Project Name: _____
Location: _____
Type: _____
Quantity: _____
Notes:



LINE DRAWING



IES FILE



In addition to Access Lighting's purchase and warranty terms and conditions, by signing below or placing an order, you agree that you are authorized to bind the entity placing any order and acknowledge the following: All of sizes and measurements are approximate and all images are for illustrative purposes only. In the event of an inconsistency, the "Product Measurements" section controls. There also may be slight differences in the colors and designs compared to the displayed and printed images.

Signature: _____

Print Name _____ Date: _____

Toll Free 800-828-5483 www.AccessLighting.com

301 Piedmont Grove Park, Suite A, Greenville, SC 29611



** NOTE: All measurements are rounded up to the 1/4 inch. There is no warranty on any replaceable bulbs, even if included with the fixture.
Copyright Access Lighting Corp. All information is subject to change without notice. 2/18/2024 20849LEDD-WH_ACR.pdf