

Stock Code: **20472LEDD-BS/SACR**

Collection: Sparc

PRODUCT INFORMATION

Base: 20472 Parent: 20472LEDD
Mounting Type: Ceiling UPC: 641594228915
Finish: Brushed Steel
Diffuser: Starry Acrylic

PRODUCT MEASUREMENTS

FIXTURE**	BACKPLATE / CANOPY**
Length:	Length
Width:	Width:
Diameter 16"	Diameter: 16"
Height: 5"	Height: 0.5"
Extension:	
Overall Height:	

TECHNICAL SPECIFICATIONS

SPECIFICATIONS

Frame Material: Steel
Diffuser Material: Acrylic
Lamping Type: SSL (Dedicated LED) Jbox: Standard
Lamping Base: SSL Lamp Wattage: 25 W
Lamp Quantity: 1 Total Wattage: 25 W
Voltage: 120v Lamps Included: Yes

QUALIFICATIONS

Location Rating Damp
Certification: ETL (US/Canada) Listed
ADA Compliant: No Energy Star: No
JA8 Compliant: No Emergency Lighting: No
Marine Grade Finish: No
Warranty**: 5 Year

PHOTOMETRICS

Dimmable: Yes Nominal Lumens: 2200 Lm
CRI: 90 Delivered Lumens: 1803 Lm
CCT: 3000K
Recommended Dimmers:
(ELV)LUTRON Maestro MRF2-6CL; (ELV)LUTRON Maestro CL
MACL-153M; (ELV)LUTRON Caseta PD - 6WCL;
(TRIAC)LUTRON Diva DVCL-153P

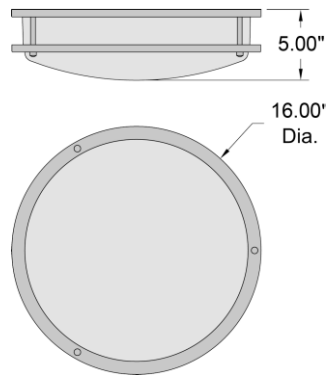
ADDITIONAL NOTES

Custom Finish 5 Piece Minimum Order Quantity; Optional Color
Temperature 100 Piece Minimum Order Quantity

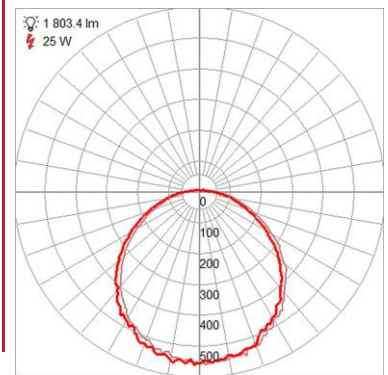
Project Name: _____
Location: _____
Type: _____
Quantity: _____
Notes:



LINE DRAWING



IES FILE



In addition to Access Lighting's purchase and warranty terms and conditions, by signing below or placing an order, you agree that you are authorized to bind the entity placing any order and acknowledge the following: All of sizes and measurements are approximate and all images are for illustrative purposes only. In the event of an inconsistency, the "Product Measurements" section controls. There also may be slight differences in the colors and designs compared to the displayed and printed images.

Signature: _____

Print Name _____ Date: _____

Toll Free 800-828-5483 www.AccessLighting.com

301 Piedmont Grove Park, Suite A, Greenville, SC 29611

