

Stock Code: **20469LEDD-BRZ/ACR**

Collection: Solero

PRODUCT INFORMATION

Base: 20469 Parent: 20469LEDD
Mounting Type: Ceiling UPC: 641594228847
Finish: Bronze
Diffuser: Acrylic Lens

PRODUCT MEASUREMENTS

FIXTURE**	BACKPLATE / CANOPY**
Length:	Length
Width:	Width:
Diameter 16"	Diameter: 5"
Height: 5"	Height: 1"
Extension:	
Overall Height: 13-51"	

TECHNICAL SPECIFICATIONS

SPECIFICATIONS

Frame Material: Steel
Diffuser Material: Acrylic
Lamping Type: SSL (Dedicated LED) Jbox: Standard
Lamping Base: SSL Lamp Wattage: 25 W
Lamp Quantity: 1 Total Wattage: 25 W
Voltage: 120v Lamps Included: Yes

QUALIFICATIONS

Location Rating Damp
Certification: ETL (US/Canada) Listed
ADA Compliant: No Energy Star: No
JA8 Compliant: No Emergency Lighting: No
Marine Grade Finish: No
Warranty**: 5 Year

PHOTOMETRICS

Dimmable: Yes Nominal Lumens: 2200 Lm
CRI: 90 Delivered Lumens: 1765 Lm
CCT: 3000K
Recommended Dimmers:
(TRIAC)LUTRON Diva DVCL-153P; (ELV)LUTRON Maestro MRF2-6CL; (ELV)LUTRON Caseta PD - 6WCL; (ELV)LUTRON Maestro CL MACL-153M

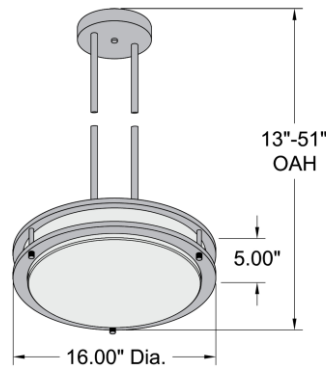
ADDITIONAL NOTES

6, 16, and 22-inch down rods included; Optional 6, 16, and 22-inch down rods available (max 10 feet); 10 feet of cord included; Custom Finish 5 Piece Minimum Order Quantity; Optional Color Temperature 100 Piece Minimum Order Quantity

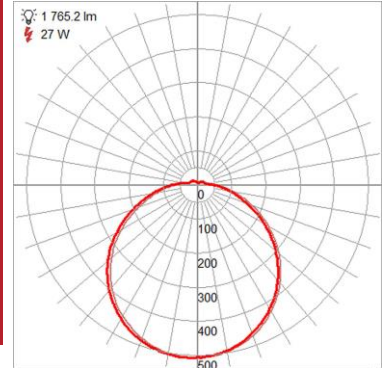
Project Name: _____
Location: _____
Type: _____
Quantity: _____
Notes: _____



LINE DRAWING



IES FILE



In addition to Access Lighting's purchase and warranty terms and conditions, by signing below or placing an order, you agree that you are authorized to bind the entity placing any order and acknowledge the following: All of sizes and measurements are approximate and all images are for illustrative purposes only. In the event of an inconsistency, the "Product Measurements" section controls. There also may be slight differences in the colors and designs compared to the displayed and printed images.

Signature: _____

Print Name _____ Date: _____

Toll Free 800-828-5483 www.AccessLighting.com

301 Piedmont Grove Park, Suite A, Greenville, SC 29611



** NOTE: All measurements are rounded up to the 1/4 inch. There is no warranty on any replaceable bulbs, even if included with the fixture. Copyright Access Lighting Corp. All information is subject to change without notice. 2/18/2024 20469LEDD-BRZ_ACR.pdf