

Stock Code: **20465LEDEM-BS/ACR**

Collection: Solero

PRODUCT INFORMATION

Base: 20465LEDEM Parent: 20465LEDEM
Mounting Type: Ceiling UPC: 641594223750
Finish: Brushed Steel
Diffuser: Acrylic Lens

PRODUCT MEASUREMENTS

FIXTURE**	BACKPLATE / CANOPY**
Length:	Length
Width:	Width:
Diameter 14"	Diameter: 14"
Height: 4.5"	Height: 1"
Extension:	
Overall Height:	

TECHNICAL SPECIFICATIONS

SPECIFICATIONS

Frame Material: Steel	
Diffuser Material: Acrylic	
Lamping Type: SSL (Dedicated LED)	Jbox: Standard
Lamping Base: SSL	Lamp Wattage: 20 W
Lamp Quantity: 1	Total Wattage: 20 W
Voltage: 120-277v	Lamps Included: Yes

QUALIFICATIONS

Location Rating Damp	
Certification: ETL (US/Canada) Listed	
ADA Compliant: No	Energy Star: No
JA8 Compliant: No	Emergency Lighting: Yes
Marine Grade Finish: No	
Warranty**: 5 Year	

PHOTOMETRICS

Dimmable: No	Nominal Lumens: 1800 Lm
CRI: 90	Delivered Lumens: 1320 Lm
CCT: 3000K	
Recommended Dimmers:	

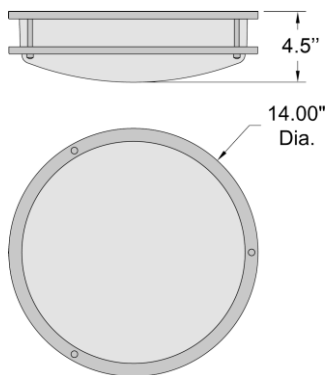
ADDITIONAL NOTES

Custom Finish 5 Piece Minimum Order Quantity

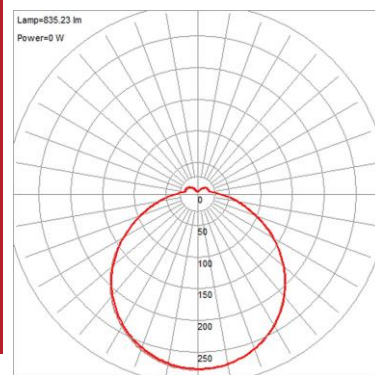
Project Name: _____
 Location: _____
 Type: _____
 Quantity: _____
 Notes: _____



LINE DRAWING



IES FILE



In addition to Access Lighting's purchase and warranty terms and conditions, by signing below or placing an order, you agree that you are authorized to bind the entity placing any order and acknowledge the following: All of sizes and measurements are approximate and all images are for illustrative purposes only. In the event of an inconsistency, the "Product Measurements" section controls. There also may be slight differences in the colors and designs compared to the displayed and printed images.

Signature: _____

Print Name _____ Date: _____

Toll Free 800-828-5483 www.AccessLighting.com

301 Piedmont Grove Park, Suite A, Greenville, SC 29611



** NOTE: All measurements are rounded up to the 1/4 inch. There is no warranty on any replaceable bulbs, even if included with the fixture. Copyright Access Lighting Corp. All information is subject to change without notice. 2/18/2024 20465LEDEM-BS_ACR.pdf