

Stock Code: **20121LEDDMG-BL**

Collection: Marino

**PRODUCT INFORMATION**

Base: 20121 Parent: 20121LEDDMG  
Mounting Type: Wall UPC: 641594241044  
Finish: Black  
Diffuser: N/A

**PRODUCT MEASUREMENTS**

<b>FIXTURE**</b>	<b>BACKPLATE / CANOPY**</b>
Length:	Length
Width: 4.75"	Width:
Diameter	Diameter: 4.75"
Height: 14"	Height: .8"
Extension: 4.75"	
Overall Height:	

**TECHNICAL SPECIFICATIONS**

**SPECIFICATIONS**

Frame Material: Steel  
Diffuser Material: N/A  
Lamping Type: SSL (Dedicated LED) Jbox: Standard  
Lamping Base: SSL Lamp Wattage: 6 W  
Lamp Quantity: 2 Total Wattage: 12 W  
Voltage: 120v Lamps Included: Yes

**QUALIFICATIONS**

Location Rating Wet  
Certification: ETL (US/Canada) Listed  
ADA Compliant: No Energy Star: No  
JA8 Compliant: Outdoor Only Emergency Lighting: No  
Marine Grade Finish: Yes  
Warranty\*\*: 5 Year

**PHOTOMETRICS**

Dimmable: Yes Nominal Lumens: 1200 Lm  
CRI: 90 Delivered Lumens: 688 Lm  
CCT: 3000K  
Recommended Dimmers:  
(TRIAC)LEVITON Decora Sureslide 6672; (ELV)LUTRON  
Maestro MAELV-600; (ELV)LUTRON Maestro CL MACL-153M

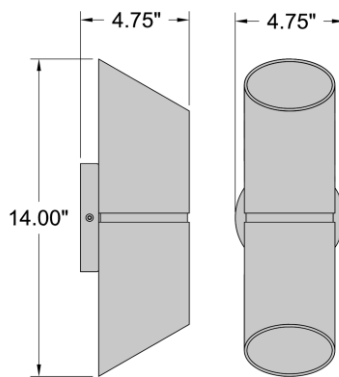
**ADDITIONAL NOTES**

Bi-Directional Light Source; Optional Color Tempature 100 Piece  
Minimum Order Quantity; Custom Finish 100 Piece Minimum  
Order Quantity

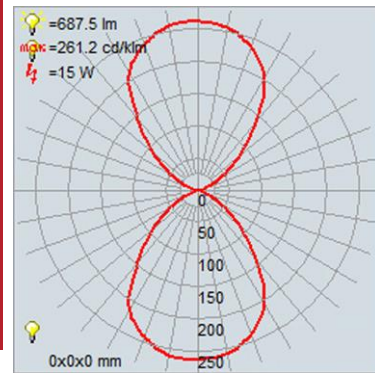
Project Name: \_\_\_\_\_  
Location: \_\_\_\_\_  
Type: \_\_\_\_\_  
Quantity: \_\_\_\_\_  
Notes: \_\_\_\_\_



**LINE DRAWING**



**IES FILE**



In addition to Access Lighting's purchase and warranty terms and conditions, by signing below or placing an order, you agree that you are authorized to bind the entity placing any order and acknowledge the following: All of sizes and measurements are approximate and all images are for illustrative purposes only. In the event of an inconsistency, the "Product Measurements" section controls. There also may be slight differences in the colors and designs compared to the displayed and printed images.

Signature: \_\_\_\_\_

Print Name \_\_\_\_\_ Date: \_\_\_\_\_

**Toll Free 800-828-5483 www.AccessLighting.com**

301 Piedmont Grove Park, Suite A, Greenville, SC 29611



\*\* NOTE: All measurements are rounded up to the 1/4 inch. There is no warranty on any replaceable bulbs, even if included with the fixture.  
Copyright Access Lighting Corp. All information is subject to change without notice. 2/18/2024 20121LEDDMG-BL.pdf